

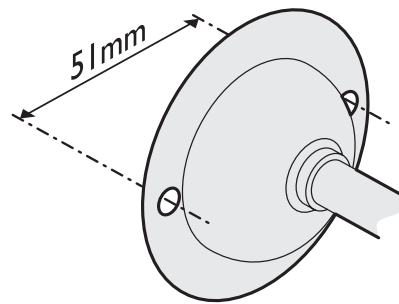


VINTAGE WALL LIGHT

WARNING Never take risks with electrical safety. Always disconnect the mains power before beginning any electrical work and test that it is isolated - it is NOT enough just to turn off the light switch. Electrical products must be installed in accordance with IET regulations (BS 7671). If you are in any doubt, always consult a qualified electrician or an experienced person registered with an electrical Competent Person Scheme. Further information is available online or from your Local Authority. If the lighting circuit is not protected by a Residual Current Device (RCD) then the installation should be carried out and tested by a qualified electrician. If necessary, use a suitable stepladder, but first read the useful advice given by the Health and Safety Executive. Visit www.hse.gov.uk and search for 'using stepladders'.

In addition to the contents of this kit, you will need:

- Lamp 60W max. with ES (Edison Screw) fitting
- Optional lamp shade
- Suitable fuse/breaker protected lighting power feed to the fixture with a valid CPC (Circuit Protective Conductor) earth connection
- Two fixing screws suitable for the mounting surface and matching the finish of your wall light (wall plugs may also be required)
- Appropriate tools



Dimensions in mm. Some variations in precise hole locations may occur.

Your vintage wall light

Your vintage wall light is suitable for indoor use only and can be mounted, with the appropriate fixings (not supplied), on various flat solid surfaces.

IMPORTANT: If you are in any doubt, STOP and seek professional help. Do not proceed unless you are sure.

Prepare the mounting surface with the mains cable located centrally between where the mounting screws will be located; preferably emerging from within or behind the mounting surface. Due to the size of the connector block, and limited space inside the mounting cup, it may be necessary to partially submerge the connector block within the mounting surface.

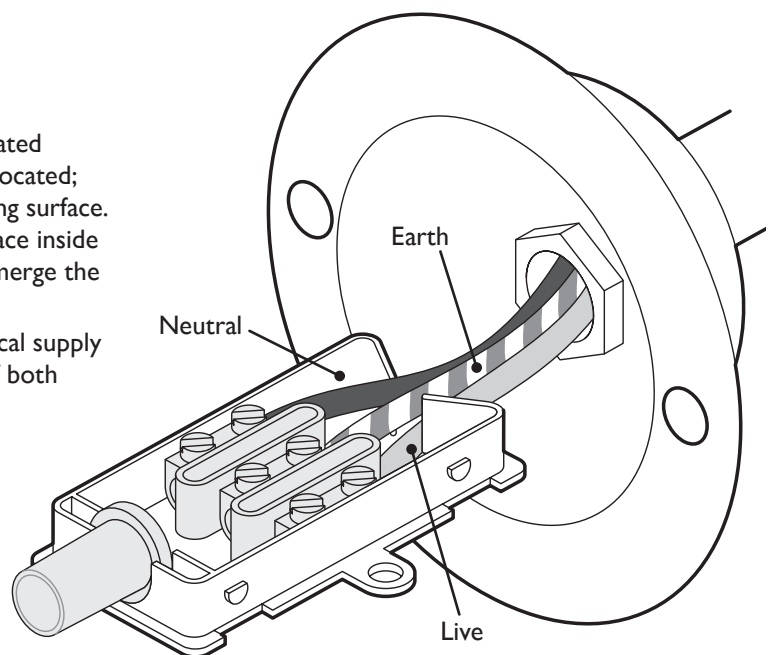
Ensure that the mains cable is isolated from the electrical supply while fixing your vintage wall light and that it is clear of both screw holes.

Connect the live, neutral and earth wires of the supply cable to the supplied 3-way connector block and ensure all conductors are secured by the screws. For versions with ES screw holders, check that the live wire is connected to the centre pin of the lamp holder.

Ensure that the bare copper earth connections have green/yellow sleeves to isolate them from other connections. Check that screw terminals are properly tightened and no bare wires are visible.

Carefully conceal the connector block and any spare cable within the wall/mounting cup and use two appropriate screws to secure the wall light onto the surface. Ensure that the screws do not interfere with the mains cable.

Fit your chosen lamp and optional shade.



Sealable 3-way connector block (supplied)

Rating: 240VAC, 50Hz