



WALL MOUNTED TAPS ASSEMBLY GUIDE

Please read these instructions and maintenance guide thoroughly before assembling your tap.

We recommend using a certified plumber to install this tap.

Important information

Operating conditions: the recommended operating pressure is 1-6 bar with hot water temperature 40-90C

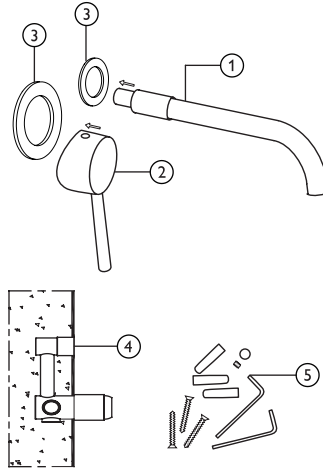
Prior to assembly

1. Check you have all the parts listed on the following page BEFORE beginning assembly
2. Make sure that the shower is suitable for purpose and that it's compatible with your water system
3. Some wall mounted taps require a stud or cavity wall – check with a certified plumber before any work is carried out
4. A supply of PTFE tape will be required to assemble the tap
5. Do not disassemble any parts of the tap as they have been installed, commissioned correctly and precisely before leaving the factory
6. Note the hot water connector is on the left and the cold on the right
7. To prevent the mixer body from jamming, flush the water pipe before installation
8. Flush the water inlet pipeline to ensure there is no debris in there
9. When any works are being carried out ensure the mains water supply has been shut off

Jadipai tap

Standard fittings list:

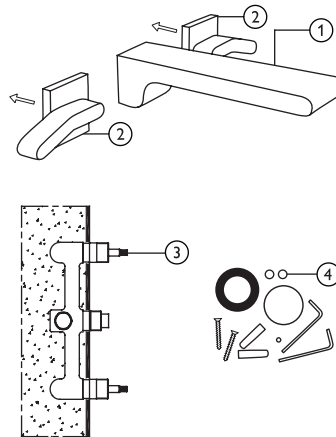
Number	Part Name	Quantity
1	Spout	1
2	Mixer handle	1
3	Decorative cover plates	2
4	Mixer body	1
5	Fixings: Mounting screws & rawl plugs Allen keys Grub Mixer handle cap	3 2 1 1



Rosumo tap

Standard fittings list:

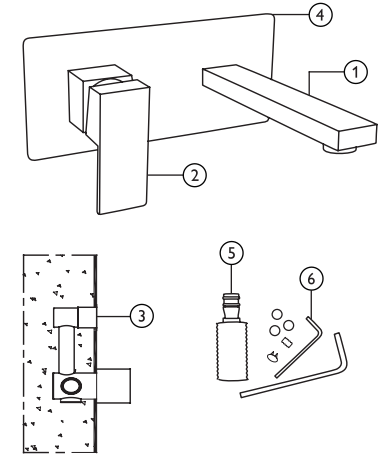
Number	Part Name	Quantity
1	Spout	1
2	Hot and cold handle	2
3	Mixer body	1
4	Fixings: Mounting screws & rawl plugs Allen keys Black rubber washers White washers Spare grub	2 2 2 2 1



Yuntai tap

Standard fittings list:

Number	Part Name	Quantity
1	Spout	1
2	Mixer handle	1
3	Mixer body	1
4	Decorative plate	1
5	Union	1
6	Fixings: Allen keys Rubber washers Grub Mixer handle cap	2 3 1 1



Assembly steps (after the valve body and relevant pipework has been installed):

1. Fit the decorative plates
2. Screw the spout into the union using PTFE tape
3. Fit the handle using the fittings supplied

Usage Instructions

1. The water valve is open when the handle(s) is turned upwards. Open the valve and check for any leaks.
2. Turning the handle to the left and right controls the water temperature - left for hot and right for cold.

Maintenance

- Clean the tap as and when required – regular cleaning prevents calcification
- Never use cleaning materials containing hydrochloric, formic, phosphoric or acetic acid, all of which can cause considerable damage
- Never use abrasive cleaning materials, sponge pads or micro-fibre cloths
- After cleaning, rinse the tap thoroughly with clean water to remove any cleaner residue
- Unscrew and clean the aerator regularly