



HANDLE & SCREW GUIDE

Be sure to **read this quick guide thoroughly before installing your handles** or drawer knobs.

Making sure that you have **the correct size and type of screw** for the drawer/cupboard you're fixing to **is imperative to prevent damage to the handles** or knobs during installation.

It is important that you **don't use an electric screwdriver** when installing the handles or knobs, as they cause the screw to over tighten and snap.

For handles, t-bars and drawer knobs: to help retain their colour do not use abrasive cleaning products or equipment to clean these products.

The correct screw size: If you have a 20mm thick drawer or door and a handle/knob with a 9mm internal thread, then the 25mm screw included is appropriate.

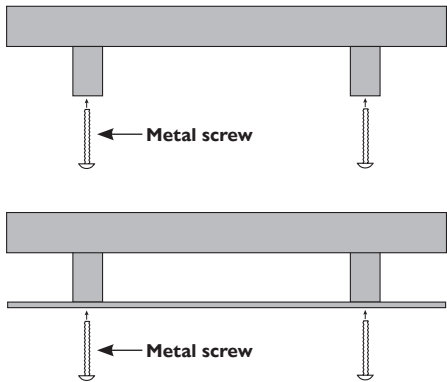
However, if you are fixing the handle/knob to a 10mm thick drawer or door, then the 25mm screw provided is too long and you will need to source a shorter screw. The same applies if the 25mm screw provided is too short, you will need to source a longer screw. All our knobs and handles are suitable for a standard M4 machine bolt, apart from the chunky skyscrapers which are M5.

Note: If the handle/knob spins whilst installing, double check the screw length as it's likely to be too long.

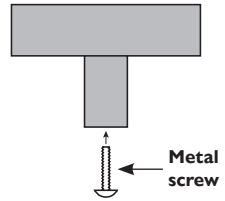
For handles, t-bars and drawer knobs we advise that you make sure the screw is no longer than the depth of the handle and drawer combined. **For drawer pulls and handles** we advise that you make sure the screw is shorter than the depth of the handle and drawer combined.

Important: If you are in any doubt, STOP and seek professional help. Do not proceed unless you are sure.

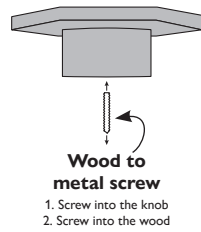
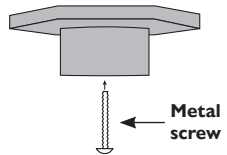
Handles with and without back plates



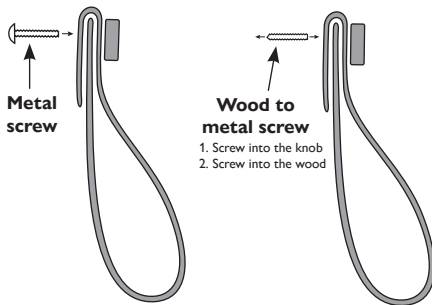
T-bars



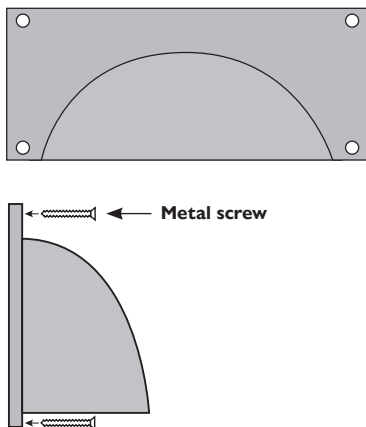
Drawer knobs



Leather Pull Handles



Drawer handles



Drawer pulls

