



SINGLE OUTLET SHOWER

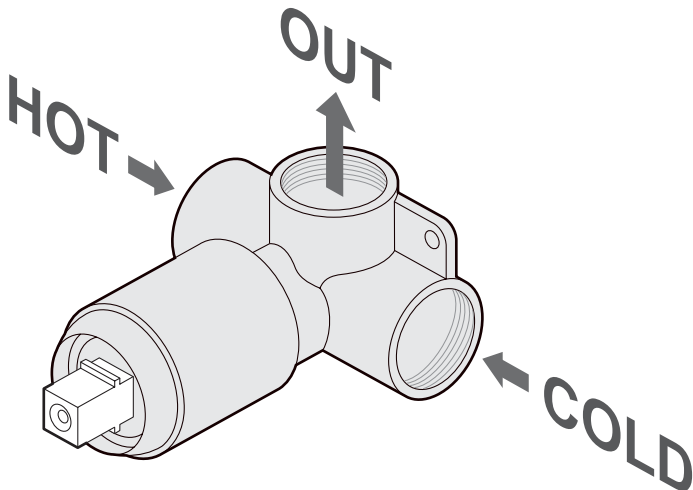
Take a few moments to sit down with a cuppa, read through and understand these instructions. If you feel the task is a little too challenging to undertake yourself, we recommend you seek help from a professional. However, if you're a competent DIY enthusiast, follow the instructions carefully.

Your single outlet shower

Your shower mixer provides you with an easy to control rain shower head.

Items needed

- In addition to the supplied items and necessary tools, you will also need to arrange the hot and cold water supply pipes (plus fittings) to the mixer. Suggestions are given on the next page about which fittings to use.
- Additionally, you will need to run a pipe from the mixer output to the rain shower head pipe.
- All joints have $\frac{1}{2}$ " BSP (British Standard Pipe) threads and you should use 15mm diameter pipes throughout. You will also need to use suitable PTFE tape on all threads to achieve water-tight joints.

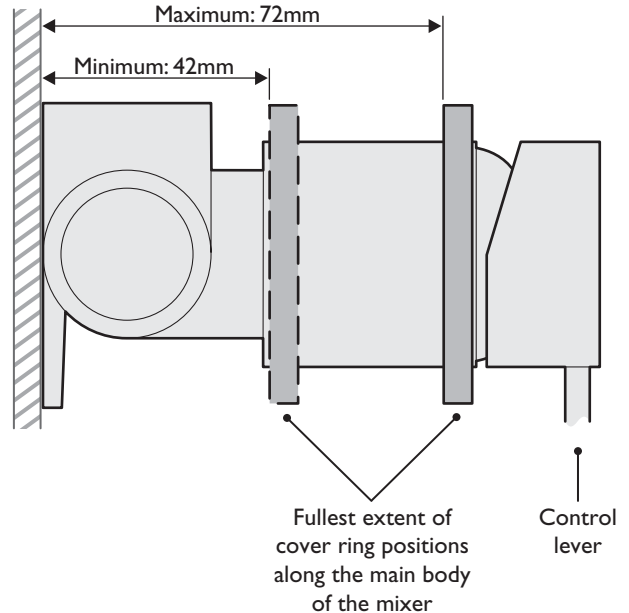


Positioning the mixer

The mixer must be screwed onto a recessed solid surface (eg brick, wood, Aquaboard®, etc.), within the shower area at a height that makes it easy for users to reach the controls.

Note: It is possible for some moisture to get behind the cover ring and around the mixer assembly. The mounting surfaces should be sufficiently robust and water-resistant to cope without degrading. A sloping lower face of the substrate will help to drain out any water.

When the final tile finish is in place, the rear face of the cover ring can be anywhere from 42mm to 72mm from the rear mounting surface:



The recommended operating pressure is 1 to 6 bar.

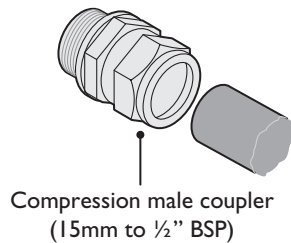
To fit your single outlet shower

- 1 Isolate the hot and cold water feeds to the shower area.
- 2 Create the recess for the mixer assembly and fix it into place using fixings suitable to the mounting surface.
- 3 Embed and install your hot and cold feed pipes and connect them using suitable fittings to the marked inlets each side of the mixer assembly.

IMPORTANT: Ensure that all pipes and the mixer assembly ports are completely free of debris.

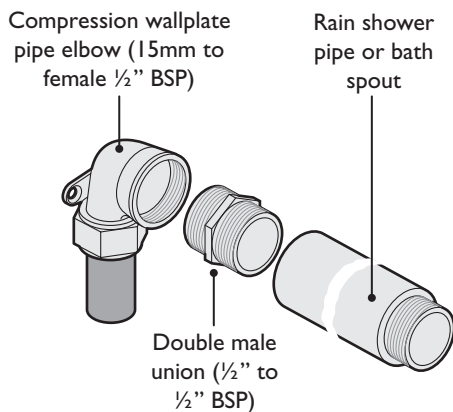
Tip: To link the incoming and outgoing pipes into the ports on the mixer, we suggest the use of compression couplers:

These are common items available from DIY outlets and plumbing suppliers (Speedfit® alternatives are also available).



Tip: When making all joint connections, wrap two layers of PTFE tape around the male thread in a clockwise direction, ie with the thread - so that it is pulled tighter as it is screwed in.

- 4 Install the pipe from the upper outlet of the mixer assembly and feed it to the location of the rain shower head.
- 5 You will need suitable fixings to connect and secure the pipe leading to the rain shower head. One way to do this is to conceal a compression wall plate elbow plus a double male union in the wall/ceiling. This arrangement will convert your 15mm pipe into a male thread for the pipe/spout while also providing securing points plus a 90° bend:



These are common items available from DIY outlets and plumbing suppliers (Speedfit® alternatives are also available).

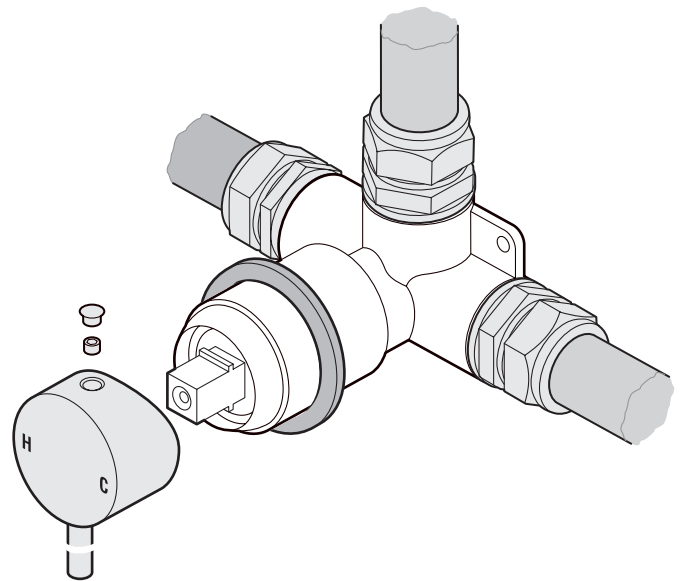
- 6 Temporarily install the rain shower head to allow testing prior to tiling:
 - Fit the control lever to the square plastic arm (there's no need to lock it in place with the grub screw yet).
 - Open either the hot or cold feeds to the mixer assembly. Check that all joints are fully water-tight.
 - Open the control lever to direct water to the rain shower head and check those joints.
 - Repeat the previous step for the other input feed.

- 7 When you are sure that all joints are correct and fully water-tight:

- Remove the control lever,
- Isolate the hot and cold water feeds,
- Remove the rain shower head and pipe,
- Continue with the tiling (or other final surface treatment) within the shower area.

- 8 When the shower area has been tiled:

- Fit the cover ring onto the body of the mixer assembly.
- Fit the control lever to the square plastic arm and use the supplied 2.5mm hex key to tighten the grub screw to lock the lever in place. Place the supplied insert into the hole to finish it.
- Fit the rain shower pipe, cover plate and head.



- 9 Your shower is now complete. Open the hot and cold isolators and carefully test the shower once again.

Shower maintenance

- Clean your shower as and when required – regular cleaning prevents calcification.
- If you live in a hard water area, consider fitting a water softener in your home to help prevent calcification (scaling) from occurring.
- Never use cleaning materials containing hydrochloric, formic, phosphoric or acetic acid, all of which can cause considerable damage.
- Never use abrasive cleaning materials, sponge pads or micro-fibre cloths.
- After cleaning, rinse the shower thoroughly with clean water to remove any cleaner residue.
- Unscrew and clean the rain shower head regularly.