



EXPOSED RAINFALL SHOWER

Take a few moments to sit down with a cuppa, read through and understand these instructions. If you feel the task is a little too challenging to undertake yourself, we recommend you seek help from a professional. However, if you're a competent DIY enthusiast, follow the instructions carefully.

Your exposed rainfall shower

Your shower provides you with an easy to control rain shower head and hand shower wand.

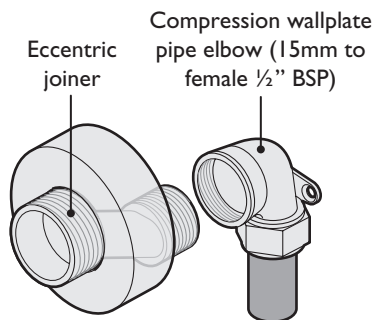
Important notes

- Your rainfall shower assembly will be held in place by three points of contact: at the hot and cold supply inlets plus the fixing near the top of the long shower pipe. For best results ensure there is a solid surface (eg brick, wood, Aquaboard®, etc.), behind the shower area for attachment.
- In addition to the supplied items and necessary tools, you will also need to ensure the hot and cold water feed pipes (plus fittings) have their centres spaced no less than 135mm and no more than 165mm apart as they emerge to connect with the mixer assembly.
- The hot and cold water feed joints have ½" BSP (British Standard Pipe) threads and you should use 15mm diameter pipes throughout. You will also need to use suitable PTFE tape on some threads to achieve water-tight joints.

To fit your exposed rainfall shower

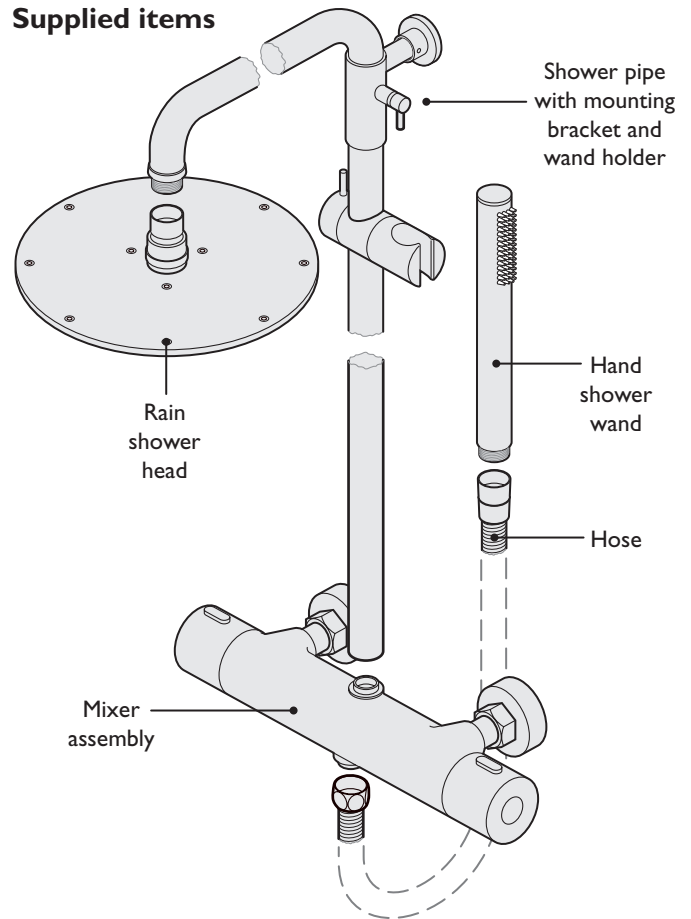
- 1 Isolate the hot and cold water feeds to the shower area.
- 2 Ensure that the centres of your hot and cold water feeds are spaced correctly (between 135 and 165mm apart) as they emerge to connect with the mixer assembly. Their height above the shower floor is also important because this will determine exactly where the mixer assembly will sit. It is worth taking time to ensure that these feed pipes are in the right places, and are level. *Important: The hot feed must be on the left.*

Depending on the space available behind the wall surface of the shower, we suggest you use fittings such as wallplate pipe elbows to convert the upcoming 15mm pipes to female ½" BSP threads that will mate with the eccentric joiners of each mixer inlet.



Wallplate pipe elbows are common items available from DIY outlets and plumbing suppliers (Speedfit® alternatives are also available).

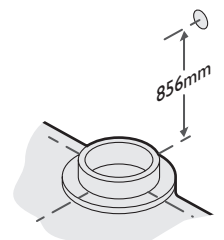
Supplied items



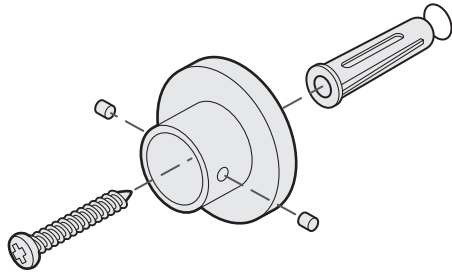
- 3 On the mixer, unscrew and remove each of the eccentric joiners together with their cover plates.
- 4 On each eccentric joiner, wrap two layers of PTFE tape around its smaller thread - in a clockwise direction, ie with the thread - so that it is pulled tighter when it is screwed in.
- 5 Screw each of the eccentric joiners into the fittings on your hot and cold feeds. Once they are most of the way in, you need to adjust them so that their larger threads form the correct distance (150mm between their centres) to mate with the mixer. Also, adjust their cover plates accordingly.
- 6 Temporarily fit the mixer to the eccentric joiners so that you can more easily gauge its final position.

The length of the shower pipe, from its base to the centre line of its mounting arm is 856mm. You need to measure up the wall from the base of the mixer's top outlet.

Use a spirit level to ensure that the marked position is central to the mixer's upper outlet.



7 Using a drill bit suitable for the finished surface (eg a diamond tipped bit for tiles) and then the backing material, drill a 7mm hole



at the marked position and insert the supplied wall plug. *Note: If the backing material is wood, then the wall plug is not needed and only a smaller pilot hole should be drilled.*

8 Insert the supplied grub screws into the holes on either side of the shower pipe mounting bracket. Ensure they are sufficiently inserted but not yet protruding into interior of the bracket.

9 Insert the supplied screw through the slotted hole at the back of the shower pipe mounting bracket and then screw the bracket into the wall plug - loosely tighten the screw and ensure the grub screws lie horizontally.

10 *Note: This next step should be carried out with great care in order to avoid damaging the pipe and mixer threads. It's also easier if someone else holds the pipe steady for you.*

Hold the shower pipe upside down as well as the mixer. Carefully mate the outlet of the mixer with the base of the pipe.

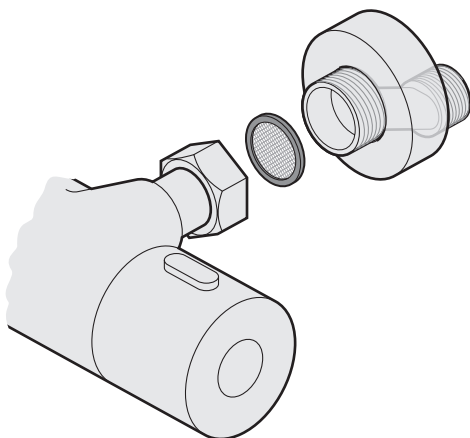
Important: These particular threads are **left handed**, which means that you need to turn the mixer anti-clockwise to tighten it. Also, take great care to ensure the two threads mate correctly and that the mixer is kept completely level as you turn it. If you are unsure at any stage, turn the mixer back clockwise and try again from the beginning. Once successful, ensure that the shower pipe is tight so that a good seal is formed with the rubber washer on the outlet.

You can now place the mixer and pipe assembly the right way up, taking care not to stress the joint between the two.

11 Temporarily offer the mixer and shower pipe assembly up to the feed pipes and mounting bracket. Check that the bracket is at the correct height to engage with the mounting arm on the pipe. Adjust the height of the bracket accordingly and when it is correct, tighten the mounting screw.

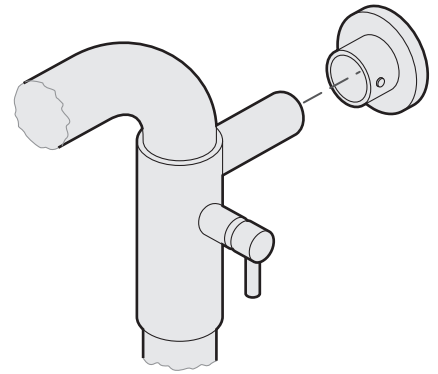
The red and blue stickers are for installation guidance only and should be removed prior to use.

12 You can now fix the mixer and pipe fully into position. Place the supplied mesh seals into the two inlet nuts of the mixer and engage those mixer inlets to the two eccentric joiners.

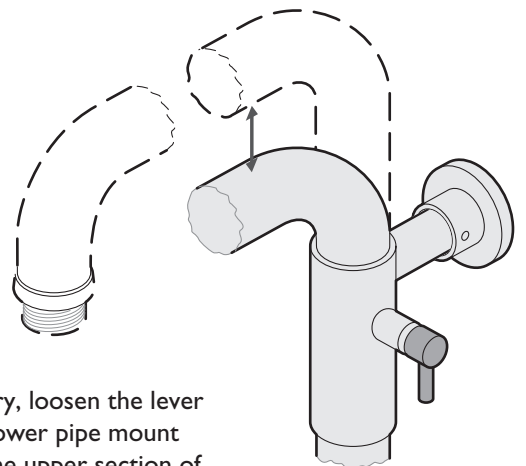
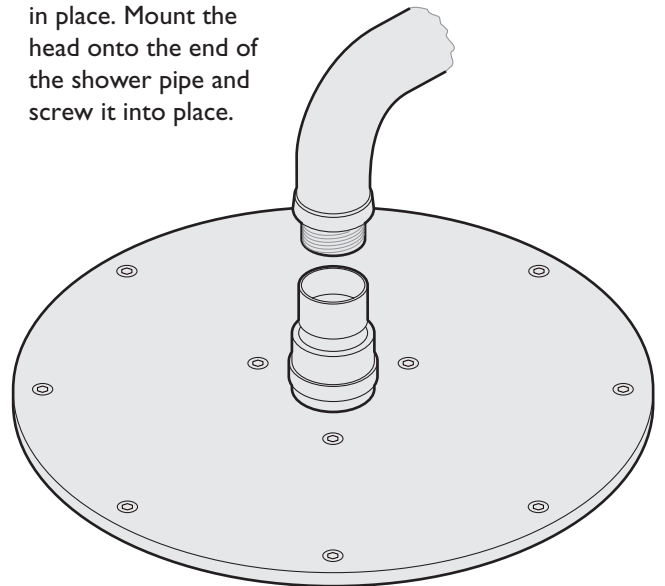


Ensure the mounting arm on the pipe inserts into the bracket.

13 Tighten the two inlet nuts and then use your spirit level to ensure that the shower pipe is vertical - there should be slight movement available back and forth within the mounting bracket. When you are sure the pipe is vertical, tighten the two grub screws using the supplied 2.5mm hex key.

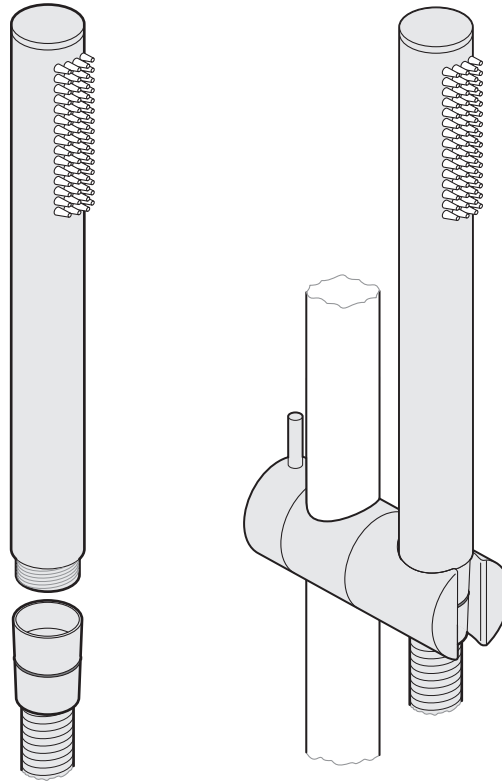


14 Remove the plastic insert from the inlet to the rain shower head and ensure that the rubber seal remains in place. Mount the head onto the end of the shower pipe and screw it into place.



15 If necessary, loosen the lever on the shower pipe mount and pull the upper section of the pipe upwards to adjust its height. Tighten the lever to lock it in place.

- 16 Remove the protective cover and also the plastic insert from the smaller connector of the hand shower hose and ensure that the rubber seal remains in place.
- 17 Remove the plastic cover from the lower mixer outlet and screw the hose connector onto it.
- 18 Remove the protective cover and also the plastic insert from the larger connector of the hand shower hose and ensure that the rubber seal remains in place. Screw the hose connector onto the hand shower wand.
- 19 Place the wand into the holder located on the shower pipe. A separate grub screw on the underside allows you to adjust the angle of the wand within the holder.
- 20 Your shower is now complete. Open the hot and cold isolators and carefully test all combinations of settings. Also, check all joints for possible leaks.



Using the shower controls

The left knob is used to set the temperature when rotated. The knob is prevented from moving to its hottest setting by a safety button, which must be pressed before it can be rotated any further.

The right knob controls where the water flow is sent, either to the rain shower head or to the hand shower wand.

Shower maintenance

- Clean your shower as and when required – regular cleaning prevents calcification.
- If you live in a hard water area, consider fitting a water softener in your home to help prevent calcification (scaling) from occurring.
- Never use cleaning materials containing hydrochloric, formic, phosphoric or acetic acid, all of which can cause considerable damage.
- Never use abrasive cleaning materials, sponge pads or micro-fibre cloths.
- After cleaning, rinse the shower thoroughly with clean water to remove any cleaner residue.
- Unscrew and clean the rain shower head regularly.