



BASIN WASTE

Take a few moments to sit down with a cuppa, read through and understand these instructions. If you feel the task is a little too challenging to undertake yourself, we recommend you seek help from a professional. However, if you're a competent DIY enthusiast, follow the instructions carefully.

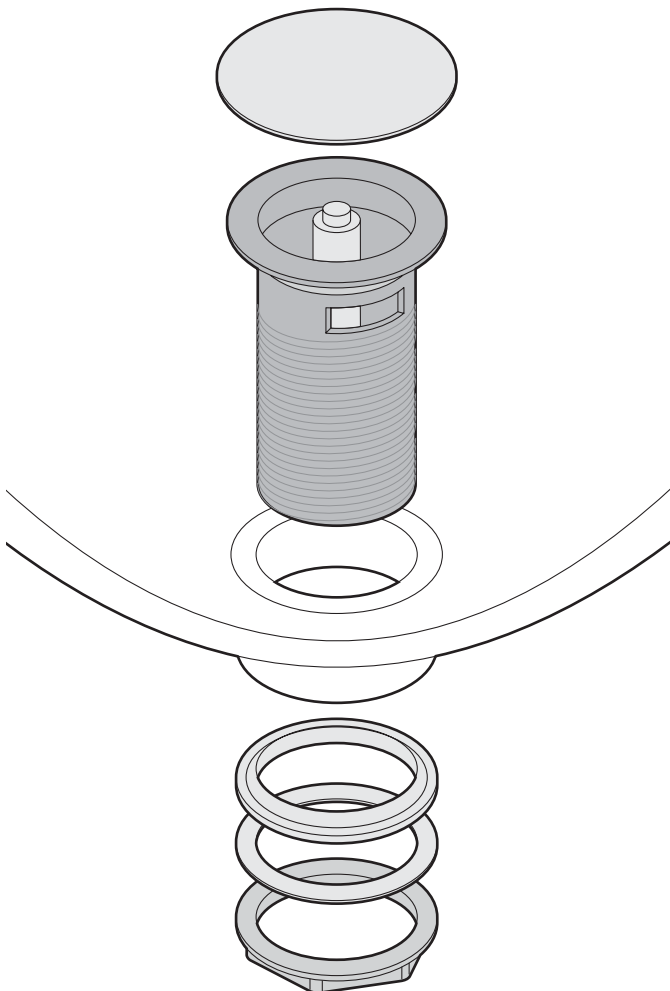
Your basin waste

Your basin waste is designed to attach into a basin that has a 45mm diameter hole. Your basin waste has a main stem with a 41mm (1⁵/₈"") outer diameter for connection to a suitable trap.

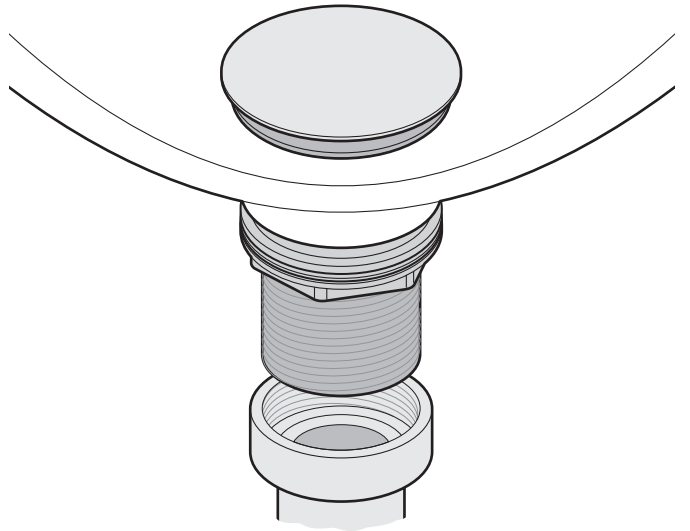
Basin wastes are available either with slots for use with basins that have an overflow or unslotted for basins that do not have overflow built into their exit holes.

To install your basin waste

1 Unscrew the upper lid from your basin waste.



- 2 Remove the large locking nut, flat plastic washer and large silicone seal from the stem of the basin waste. Leave the smaller silicone seal in place evenly around the underside of the basin waste flange.
- 3 Place the basin waste stem into the exit hole of the basin and seat it evenly in place.
- 4 Place the large silicone seal onto the basin waste stem, with the bulbous side facing up and ensure that it seats evenly and effectively against the underside of the basin.
- 5 Place the flat plastic washer and locking nut onto the stem and tighten carefully. Make sure that the basin waste remains evenly seated and fully vertical while tightening.
- 6 With the basin waste securely in place, attach your chosen trap to the stem and follow the manufacturer's instructions regarding its attachment.



- 7 Screw on the upper lid, removed earlier, to your basin waste. To use:
 - Push down on the upper lid down to click it open and closed.