



WALL BASIN MIXER

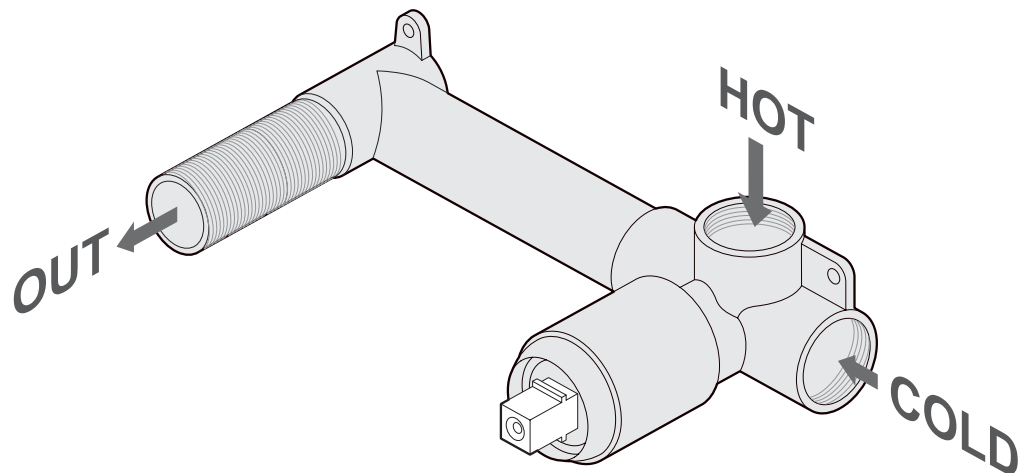
Take a few moments to sit down with a cuppa, read through and understand these instructions. If you feel the task is a little too challenging to undertake yourself, we recommend you seek help from a professional. However, if you're a competent DIY enthusiast, follow the instructions carefully.

Your wall basin mixer

Your wall basin mixer provides you with an attractive, minimalist basin spout and control lever.

Items needed

- In addition to the supplied items and necessary tools, you will also need to arrange the hot and cold water supply pipes (plus fittings) to the mixer. Suggestions are given on the next page about which fittings to use.
- All joints have ½" BSP (British Standard Pipe) threads and you should use 15mm diameter pipes throughout. You will also need to use suitable PTFE tape on all threads to achieve water-tight joints.

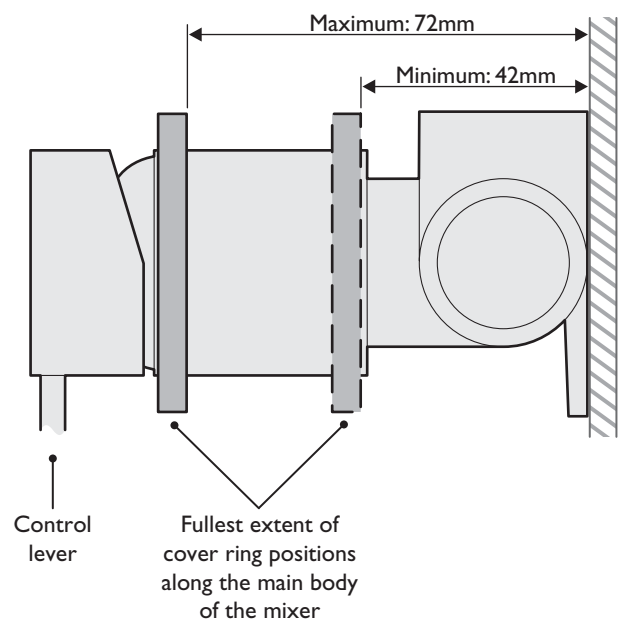


Positioning the mixer

The mixer must be screwed onto a recessed solid surface, (eg brick, wood, Aquaboard®, etc.) above the basin at a height that makes it easy to use the controls.

Note: It is possible for some moisture to get behind the cover rings and around the mixer assembly. The mounting surfaces should be sufficiently robust and water-resistant to cope without degrading. A sloping lower face of the substrate will help to drain out any water.

When the final tile finish is in place, the rear faces of the cover rings can be anywhere from 42mm to 72mm from the rear mounting surface:



The recommended operating pressure is 1 to 6 bar.

To fit your wall basin mixer

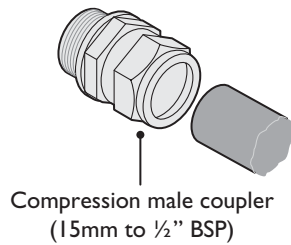
- 1 Isolate the hot and cold water feeds to the basin.
- 2 Create the recess for the mixer assembly and fix it into place using fixings suitable to the mounting surface.
- 3 Embed and install your hot and cold feed pipes and connect them using suitable fittings to the marked inlets on the control side of the mixer assembly (see previous page).
IMPORTANT: Ensure that all pipes and the mixer assembly ports are completely free of debris.

Tip: To link the incoming and outgoing pipes into the ports on the mixer, we suggest the use of compression couplers.

These are common items available from DIY outlets and plumbing suppliers (Speedfit® alternatives are also available).

Tip: When making all joint connections, wrap two layers of PTFE tape around the male thread in a clockwise direction, ie with the thread - so that it is pulled tighter as it is screwed in.

- 4 Temporarily install the fittings to allow testing prior to tiling:
 - Fit the control lever to the square plastic arm (there's no need to lock it in place with the grub screw yet).
 - Screw the spout onto the long threaded outlet.
 - Open either the hot or cold feeds to the mixer assembly. Check that all joints are fully water-tight.
 - Open the control lever to direct water to the spout and check those joints.
 - Repeat the previous step for the other input feed.



- 5 When you are sure that all joints are correct and fully water-tight:
 - Isolate the hot and cold water feeds,
 - Remove the control lever,
 - Remove the spout,
 - Continue with the tiling (or other final surface treatment) within the basin area.
- 6 When the basin area has been finished off:
 - Fit the cover ring onto the body of the mixer assembly.
 - Fit the control lever to the square plastic arm and use the supplied 2.5mm hex key to tighten the grub screw to lock the lever in place. Place the supplied insert into the hole to finish it.
 - Fit the other cover ring onto the spout and then screw the spout onto the mixer outlet.
- 7 Your wall basin mixer is now complete. Open the hot and cold isolators and carefully test the basin mixer once again.

Maintenance

- Clean your basin mixer and its spout as and when required – regular cleaning prevents calcification.
- If you live in a hard water area, consider fitting a water softener to your home to help to further prevent calcification (scaling).
- Never use cleaning materials containing hydrochloric, formic, phosphoric or acetic acid, all of which can cause considerable damage.
- Never use abrasive cleaning materials, sponge pads or micro-fibre cloths.
- After cleaning, rinse the mixer control and spout thoroughly with clean water to remove any cleaner residue.

