



DUAL OUTLET SHOWER

Take a few moments to sit down with a cuppa, read through and understand these instructions. If you feel the task is a little too challenging to undertake yourself, we recommend you seek help from a professional. However, if you're a competent DIY enthusiast, follow the instructions carefully.

Your dual outlet shower

Your shower mixer provides you with an easy to control rain shower head.

Items needed

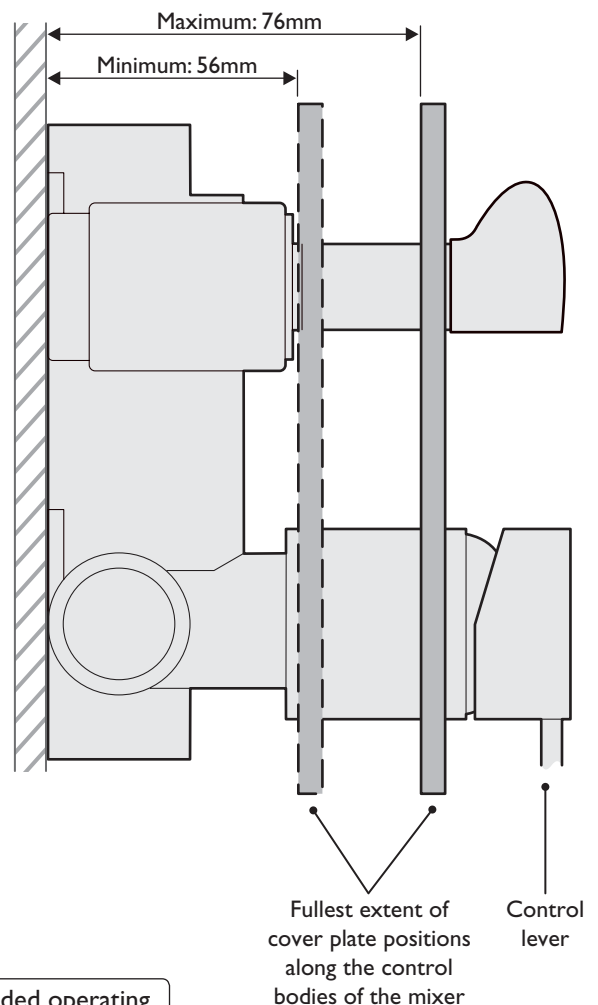
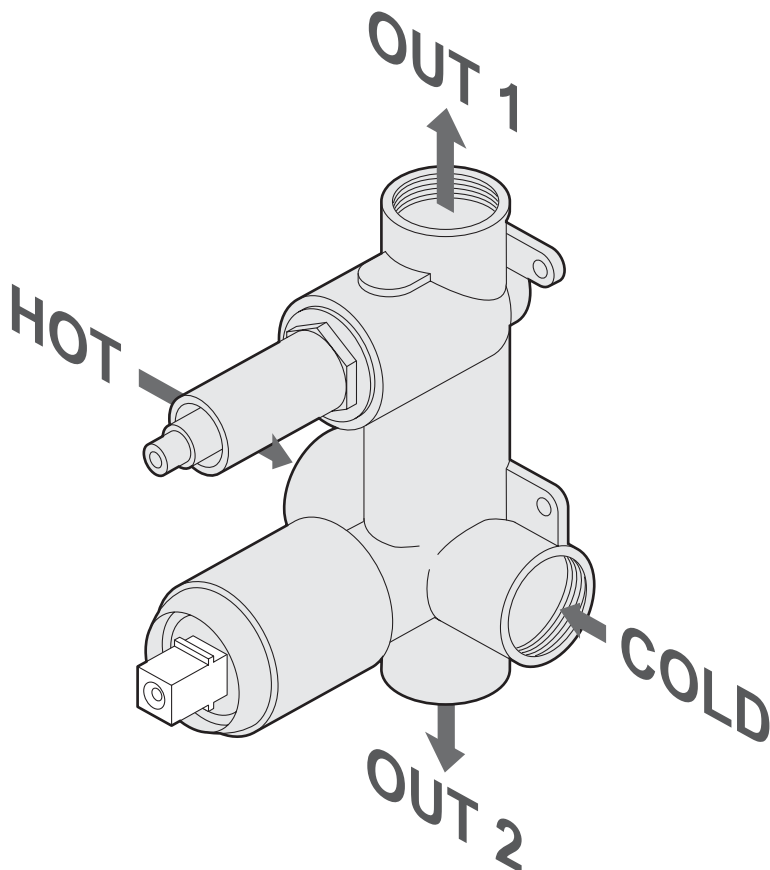
- In addition to the supplied items and necessary tools, you will also need to arrange the hot and cold water supply pipes (plus fittings) to the mixer. Suggestions are given on the next page about which fittings to use.
- You will need to run a pipe from the mixer output to the rain shower head pipe and hand shower/bath spout.
- All joints have ½" BSP (British Standard Pipe) threads and you should use 15mm diameter pipes throughout. You will also need to use suitable PTFE tape on all threads to achieve water-tight joints.

Positioning the mixer

The mixer must be screwed onto a recessed solid surface (eg brick, wood, Aquaboard®, etc.), within the shower area at a height that makes it easy for users to reach the controls.

Note: It is possible for some moisture to get behind the cover ring and around the mixer assembly. The mounting surfaces should be sufficiently robust and water-resistant to cope without degrading. A sloping lower face of the substrate will help to drain out any water.

When the final tile finish is in place, the rear face of the cover plate can be anywhere from 56mm to 76mm from the rear mounting surface:



The recommended operating pressure is 0.1 to 0.5 bar.

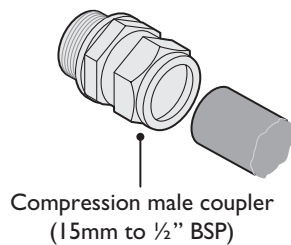
To fit your dual outlet shower

- 1 Isolate the hot and cold water feeds to the shower area.
- 2 Create the recess for the mixer assembly and fix it into place using fixings suitable for the mounting surface.
- 3 Embed and install your hot and cold feed pipes and connect them using suitable fittings to the marked inlets on each side of the mixer assembly.

IMPORTANT: Ensure that all pipes and the mixer assembly ports are completely free of debris.

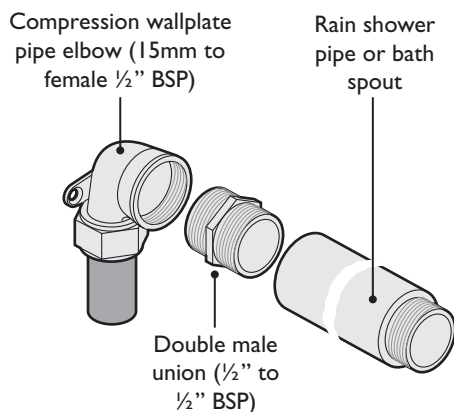
Tip: To link the incoming and outgoing pipes into the ports on the mixer, we suggest the use of compression couplers:

These are common items available from DIY outlets and plumbing suppliers (Speedfit® alternatives are also available).



Tip: When making all joint connections, wrap two layers of PTFE tape around the male thread in a clockwise direction, ie with the thread - so that it is pulled tighter as it is screwed in.

- 4 Install the pipe from the upper outlet of the mixer assembly and feed it to the location of the rain shower head.
- 5 Install the pipe from the hand shower/bath tap to the lower outlet.
- 6 At the other ends of those pipes, you will need suitable fixings to connect and secure the pipe(s) leading to the rain shower head and hand shower/bath spout. One way to do this is to conceal a compression wall plate elbow plus a double male union in the wall/ceiling. This arrangement will convert your 15mm pipe into a male thread for the pipe/spout while also providing securing points plus a 90° bend:



These are common items available from DIY outlets and plumbing suppliers (Speedfit® alternatives are also available).

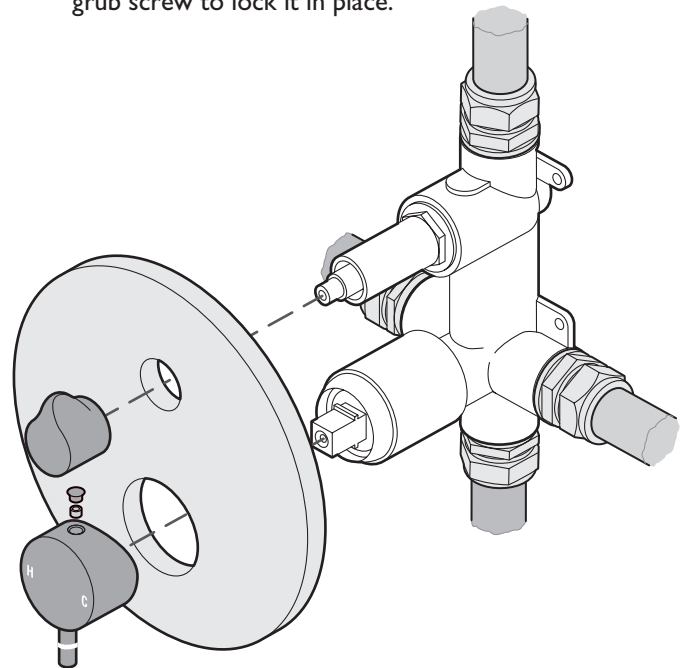
- 7 Temporarily install the rain shower head and hand shower wand/bath spout to allow testing prior to tiling:
 - Fit the control lever to the square plastic arm (there's no need to lock it in place with the grub screw yet).
 - Fit the diverter knob to the upper spline.
 - Open either the hot or cold feeds to the mixer assembly. Check that all joints are fully water-tight.
 - Open the control lever to direct water to the rain shower head and check those joints.
 - Change the diverter knob to feed the other outlet.
 - Repeat the previous steps for the other input feed.

- 8 When you are sure that all joints are correct and fully water-tight:

- Remove the control lever and diverter knob,
- Isolate the hot and cold water feeds,
- Remove the rain shower and hand shower/bath spout,
- Continue with the tiling (or other final surface treatment) within the shower area.

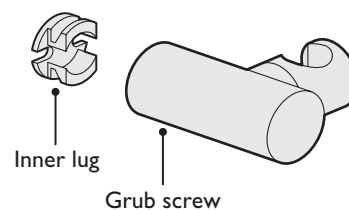
- 9 When the shower area has been tiled:

- Fit the rain shower pipe, finishing ring and head,
- Fit the hand shower wand outlet/bath spout.
- Fit the cover plate for the mixer controls.
- Fit the control lever. Use the supplied 2.5mm hex key to tighten the grub screw to lock it in place. Fit the supplied insert into the lever hole to finish it.
- Attach the diverter knob. Place it onto the spline so that when it is rotated all the way clockwise (or anti-clockwise) it is pointing up at 45 degrees from dead centre. Use the supplied 2.5mm hex key to tighten the grub screw to lock it in place.



- 10 If a hand shower is to be used, determine the best location for the hand wand holder. Choose a position that is easy to reach and also presents minimum stress on the pipe.

- Use the supplied 2.5mm hex key to loosen the grub screw located on the underside of the wand holder:



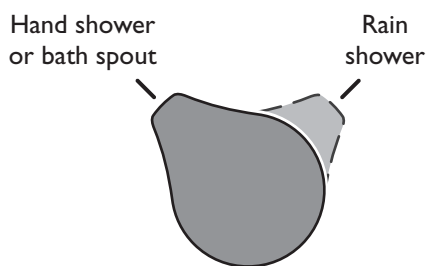
- Remove the inner lug from the holder and mark the positions of the two screw slots on the wall.
- Use a suitable drill (diamond-tipped tile drill where necessary and then masonry drill) to create two holes for the supplied wall plugs.
- Insert the wall plugs, mount the lug and tighten using the supplied screws. Then attach the holder and tighten the grub screw.

- 11 Fit the hand shower wand pipe between the outlet and the wand. Place the wand into the holder. A separate grub screw on the underside allows you to adjust the angle of the wand within the holder.
- 12 Your shower is now complete. Open the hot and cold isolators and carefully test all combinations of settings once again.

Using the shower controls

The lower lever is used to set the temperature when swivelled side to side and the flow rate when rotated upwards.

The diverter knob sends the mixed water to the lower outlet when pointing left and to the upper outlet when moved to the right:



Shower maintenance

- Clean your shower as and when required – regular cleaning prevents calcification.
- If you live in a hard water area, consider fitting a water softener in your home to help prevent calcification (scaling) from occurring.
- Never use cleaning materials containing hydrochloric, formic, phosphoric or acetic acid, all of which can cause considerable damage.
- Never use abrasive cleaning materials, sponge pads or micro-fibre cloths.
- After cleaning, rinse the shower thoroughly with clean water to remove any cleaner residue.
- Unscrew and clean the rain shower head regularly.