



Door knobs

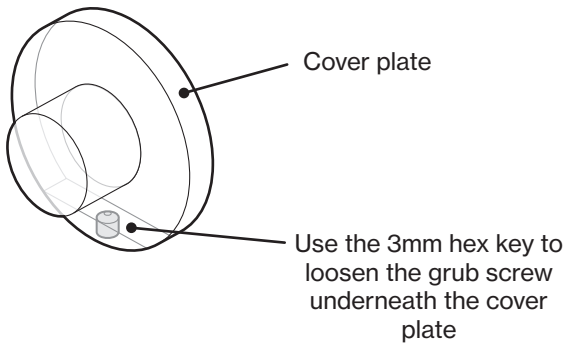
IMPORTANT: If you are in any doubt, STOP and seek professional help. Do not proceed unless you are sure.

Your door knobs

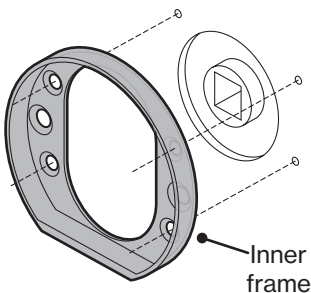
Your door knobs are designed for interior applications only and accept an 8mm square spindle.

To fit your door knobs

- 1 If not already fitted, mount your chosen catch/lock mechanism into the door using the instructions provided by the manufacturer.
- 2 Separate the hidden inner frame from the cover plate by loosening the grub screw on the underside of the cover plate using the supplied hex key:

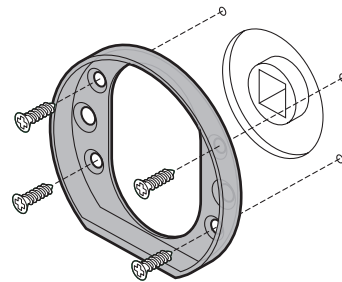


- 3 Offer up the inner frame to the position it will occupy on your door. Ensure that the inner frame is centred exactly around where the spindle is (or will be).



- 4 Mark the mounting holes that you will use. The inner frame has six holes; you do not usually need to use all of them, however, more fixings can help to make the knobs more secure.

- 5 Carefully drill small pilot holes for the screws and mount the inner frame in place using the supplied screws.



- 6 Repeat for the other side of the door.
- 7 Push the spindle through the lock barrel. For narrow doors you can shorten the spindle by carefully sawing off the excess with a hacksaw (also use a file to smooth off any sharp burrs that result from the cut).
- 8 Fit your door knobs to the frames mounted on each side of the spindle and secure them. You need to tighten two grub screws per handle - one to secure the cover plate to the inner frame and the other to lock the knob onto the spindle:

