

# Bathroom Accessories

Take a few moments to sit down with a cuppa, read through and understand these instructions. If you feel the task is a little too challenging to undertake yourself, we recommend you seek help from a professional. However, if you're a competent DIY enthusiast, follow the instructions carefully.

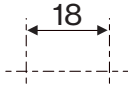
## Your accessories

In this group of matching bathroom accessories there are various items (towel rail, toilet roll holders and robe hooks) which are all mounted in a similar way.

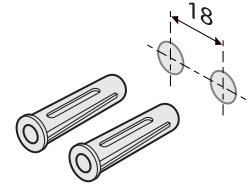
In addition to the supplied items within your kit, you will also need:

- a spirit level
- a ruler
- a sharp pencil
- a Philips head screwdriver (size 2)
- a drill with a suitable bit for your mounting surface:
  - Masonry: Ø7mm
  - Wood: Ø2mm

## To install your accessory

1. Determine the construction material of the wall and exactly where your accessory will be mounted.
2. Use your spirit level to mark a horizontal centre line where the first fixing will be placed. If your accessory is a rail with two fixings, make a pencil mark where the second fixing will be. It is vital that both marks are exactly level.
3. On your horizontal line, at the location of the first fixing, make two vertical marks exactly 18mm apart. These will be where the two mounting screws will be placed. 
4. Using the Centre hole as a guide the distance should be 545mm to the second center hole to repeat the previous step
5. Drill holes at each of the marked locations. If mounting into masonry, use a 7mm masonry drill bit to make holes to a depth of 30mm. If mounting into a wooden surface, use a 2mm wood drill bit to create pilot holes roughly 15mm deep.

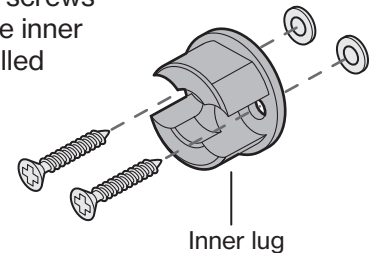
6. For masonry: insert one of the supplied wall plugs into each drilled hole. If necessary, use a small hammer to tap them fully into place.



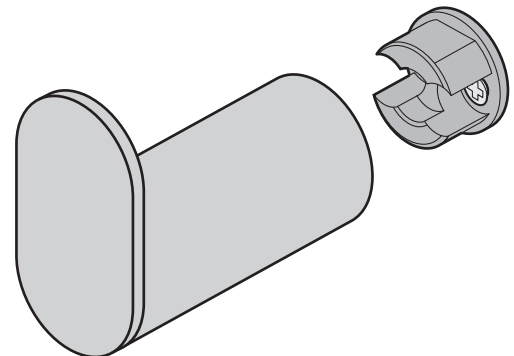
For wood: you don't need the wall plugs; you will be screwing straight into the pilot holes.

7. Use the supplied Allen key to loosen the grub screw on your accessory fixing(s) so that each inner lug is released - be careful not to lose the grub screws if they come out.

8. Use the supplied screws to fully secure the inner lug to the two drilled holes/wall plugs. Repeat for the second lug, if necessary.



9. Place your accessory onto the lug(s) with the grub screw(s) facing downwards to conceal them.



10. Use the supplied Allen key to tighten the grub screw(s) so that the accessory becomes securely locked onto the inner lug(s).

