



# Thumbturn lock handles

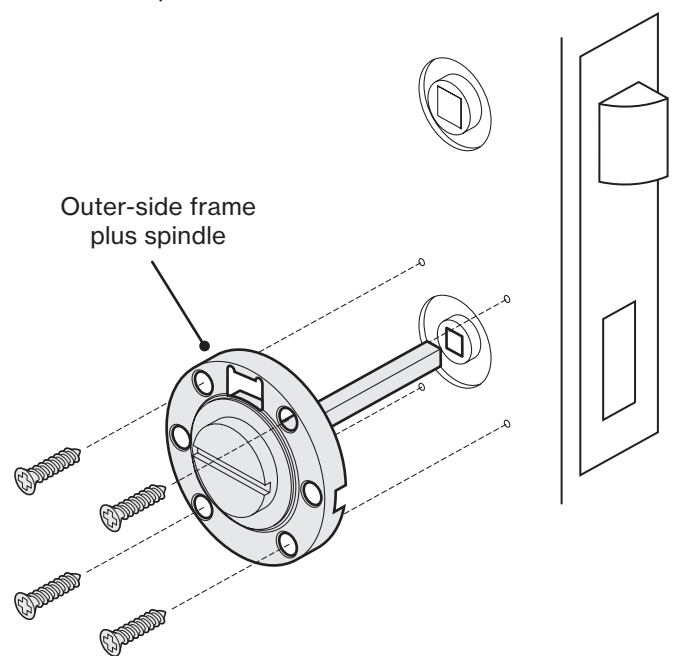
IMPORTANT: If you are in any doubt, STOP and seek professional help. Do not proceed unless you are sure.

## Your thumbturn lock handles

Your thumbturn lock handles are designed for interior applications only and can be used with either 5mm or 8mm spindle barrels. The maximum door thickness is 40mm.

## To fit your thumbturn lock handles

- 1 If not already fitted, mount your chosen catch/lock mechanism into the door using the instructions provided by the manufacturer.
- 2 Insert the spindle into the outer side of the door lock:

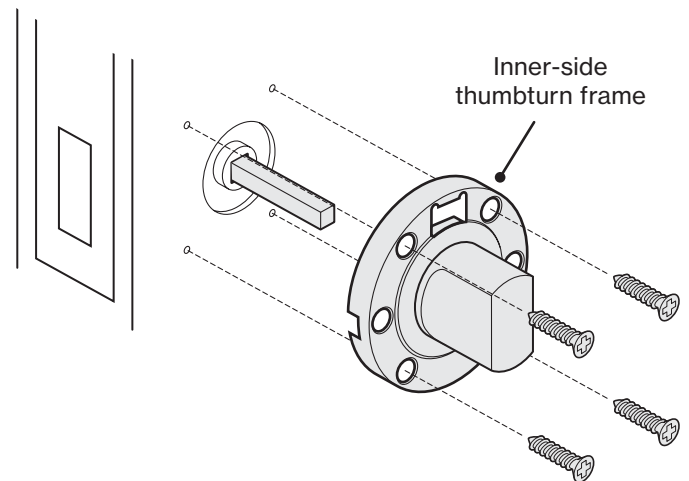


- 3 Insert up to four of the supplied screws into the holes on the outer-side frame to secure it to the door surface.

*Note: Depending on the thickness of the door and also of the lock, you may find that the screws are slightly too long and cannot be screwed all of the way in. In such cases please use shorter screws or carefully use a hacksaw to cut the tips off the supplied screws.*

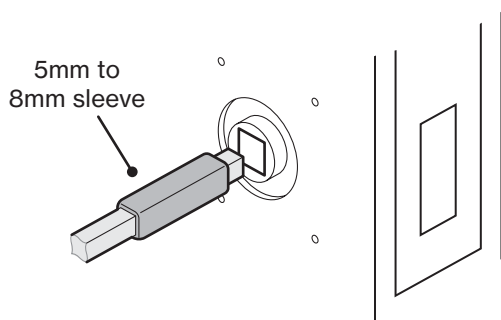
- 4 Place the thumbturn frame onto the spindle on the inner side of the door.

- 5 Insert up to four of the supplied screws into the holes on the outer-side frame to secure it to the door surface. See the above note regarding screw lengths.



### Notes:

- If the door is less than 40mm thick you may need to shorten the spindle using a hacksaw.
- We suggest that you drill short pilot holes into the door on both sides where you will be inserting screws, using a drill bit that is smaller in diameter than the screws.
- If the spindle barrel of the lock is 8mm (rather than the usual 5mm), slide the supplied sleeve onto the spindle before inserting:



- 6 Place the supplied cover plates onto the outer-side and inner-side frames (with the notch facing downwards) and press them in place until the frame bodies cannot be seen. *Note: The holes in the cover plates are slightly different sizes to match their respective frames.*

