



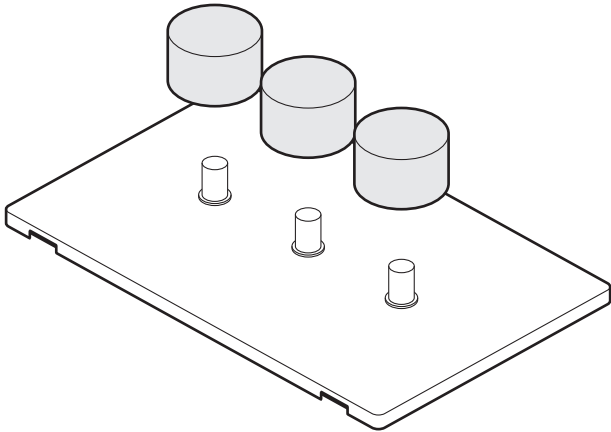
Replacement Switch Plate

WARNING Never take risks with electrical safety. Always disconnect the mains power before beginning any electrical work and test that it is isolated - it is NOT enough just to turn off the light switch. Electrical products must be installed in accordance with IET regulations (BS 7671). If you are in any doubt, always consult a qualified electrician or an experienced person registered with an electrical Competent Person Scheme. Further information is available online or from your Local Authority.

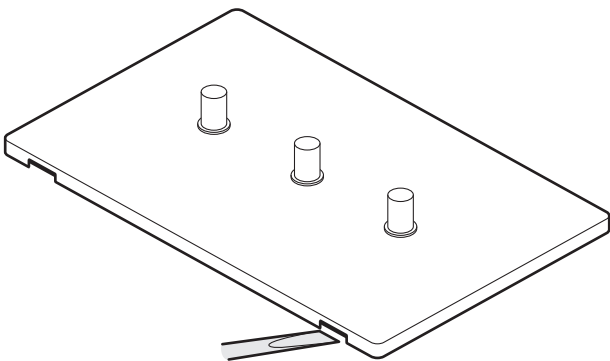
Replacing a switch plate

IMPORTANT: Before you do anything else, ensure that the mains power to your switch/dimmer is turned off at the consumer unit (your fuse box) - and check that it is dead.

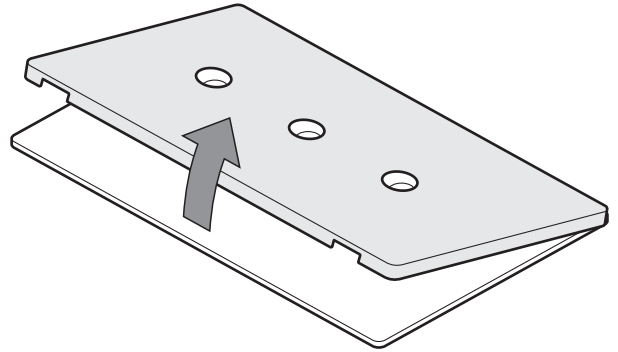
1 If necessary, carefully pull off any knob(s) from your wall-mounted switch/dimmer plate.



2 On the underside of the switch plate insert a small flat tool into one of the base slots and carefully prise up the plate.

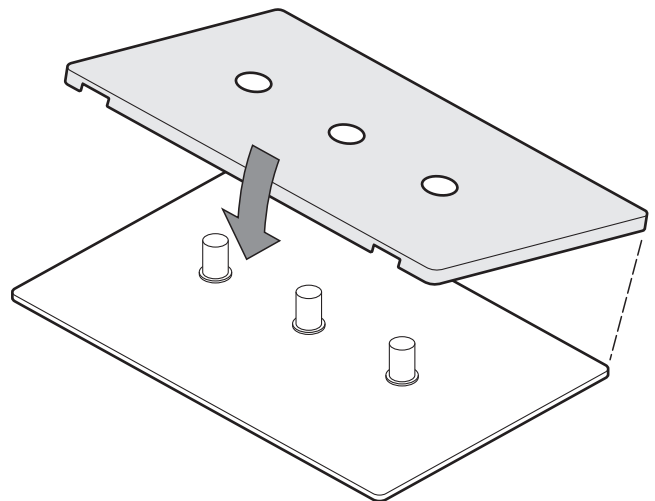


3 Lift the plate up and away from the body of the switch/dimmer.



4 Align your replacement plate with the body of the switch/dimmer - the two notches must be facing downwards.

5 Attach the top edge first and then rotate the plate down so that it engages with the body of the switch/dimmer.



6 If you removed knobs in step 1, carefully replace them onto the dimmer spindles.

7 Restore power to the circuit and test the switch/dimmer.