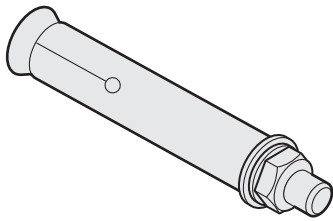




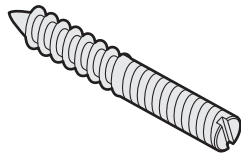
Wall-mounted door stop

Fitting your wall-mounted door stop

Your door stop is supplied with two fixings that suit different mounting surfaces:



Sleeve anchor suitable for solid/brick walls



Dual threaded screw suitable for wooden surfaces

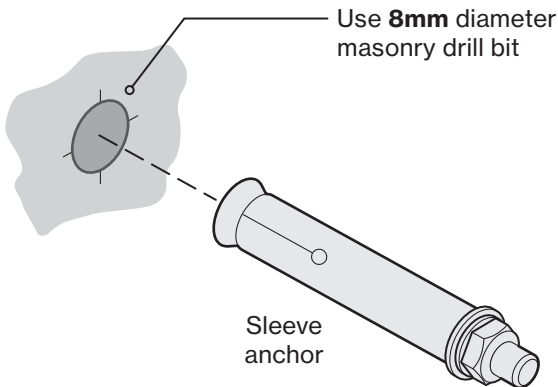
- 1 Check the surface onto which you wish to mount your door stop. The surface needs to be secure, such as a brick wall or solid wooden skirting board. Check for the presence of hidden cabling or piping in the wall.

Note: If you wish to attempt to mount your door stop onto a plasterboard wall then you will need to source a different type of fixing.

- 2 Make a mark on the mounting surface at the centre point of where door stop needs to be located.
- 3 Choose the fixing that best suits your mounting surface:

For a masonry surface

- Use an 8mm masonry drill bit to create a hole roughly 48mm deep.
- Make sure the nut of the supplied sleeve anchor is loose and then insert the body of it fully into the hole until the washer is flush with the wall surface.

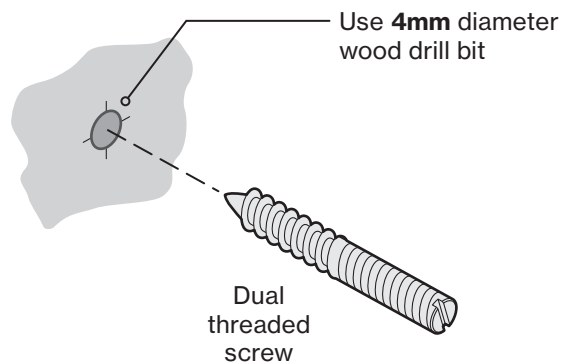


Sleeve anchor

- Use a 10mm spanner to fully tighten the nut so that the sleeve within the hole expands and is held firmly in place (do not overtighten).

For a wooden surface

- Use a 4mm wood drill bit to create a hole roughly 20mm deep.
- Insert the pointed tip of the dual threaded screw into the hole.



Dual threaded screw

- Use a large flat blade screwdriver to rotate the screw into the hole until the larger thread is fully immersed into the surface.
- 4 Carefully engage the underside of the door stop with the protruding thread of the fixing and rotate it clockwise until tight and secure against the mounting surface.

