



XL ceiling rose

WARNING Never take risks with electrical safety. Always disconnect the mains power before beginning any electrical work and test that it is isolated - it is NOT enough just to turn off the light switch. Electrical products must be installed in accordance with IET regulations (BS 7671). If you are in any doubt, always consult a qualified electrician or an experienced person registered with an electrical Competent Person Scheme. Further information is available online or from your Local Authority. If the lighting circuit is not protected by a Residual Current Device (RCD) then the installation should be carried out and tested by a qualified electrician. If necessary, use a suitable stepladder, but first read the useful advice given by the Health and Safety Executive. Visit www.hse.gov.uk and search for 'using stepladders'.

Before you start anything, please make a cup of tea and read these instructions fully. If you are in any doubt, STOP and seek professional help. Do not proceed unless you are sure.

Your existing connections

Your existing domestic lighting circuit is most likely to use a *Loop-in (aka Radial) system* where the mains supply is passed from one ceiling rose to the next; with the switches and lights for each room emanating from those same roses.

Note: Some older properties may alternatively loop into and out of the switches rather than the roses. The typical arrangement you are likely to find within your ceiling rose is shown right:

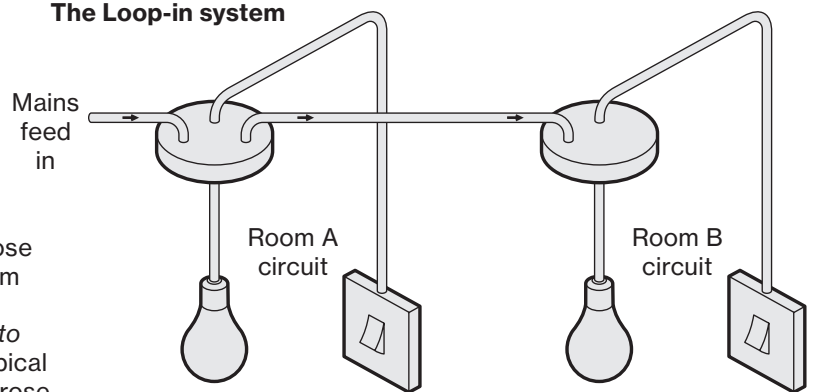
You will need to disconnect the existing wiring and remove the existing ceiling rose. So your first step, after isolating the power for the lighting circuit at your fuse board (and double-checking that it's dead), should be to take clear photo records of the open ceiling rose. Then, you need to identify and clearly label each of the cable groups. Clues to look for:

- The blue (or black) wire coming back from the switch should have a brown (or red) coloured sleeve on it - to identify that it carries a switched live feed. *Note: If a sleeve is not present, you should fit one once you identify the correct wire.*
- That marked wire from the switch will connect only with the wire(s) leading to the lamp(s).
- Using the above two clues, you should be able to identify the *Switch* and *Lamp* cable groups. The remaining cable group(s) will be the *mains feed in* and, if present, *feed out*. You don't need to know which is *in* and which is *out* for this task, just that they are the feed cables.

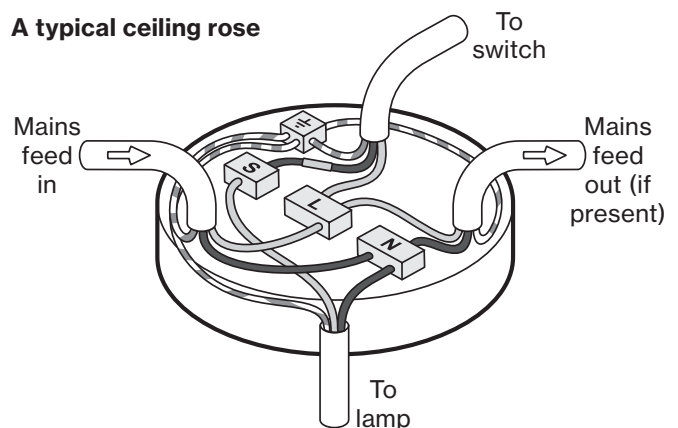
Notes:

- *The connector block supplied within your ceiling rose is designed for a simple end-point power connection. If you need to recreate a loop-in arrangement as described above, you will need replacement connectors, such as Wago® 221-413, available from www.dowsingandreynolds.com*
- *Your ceiling rose kit is not suitable for use in circuits with ratings that exceed 10 Amps.*
- *This product must be installed in accordance with local building regulations.*

The Loop-in system



A typical ceiling rose



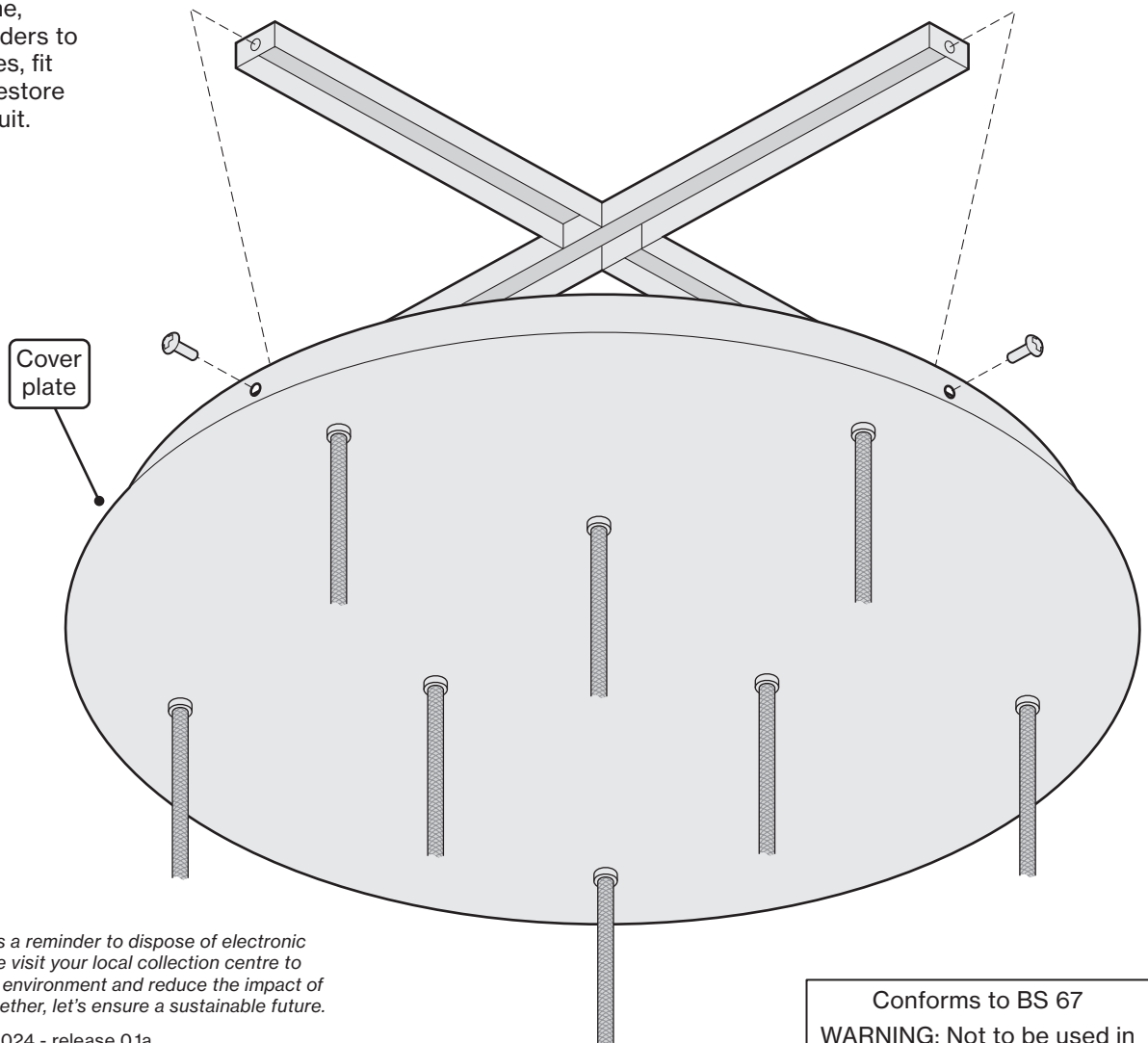
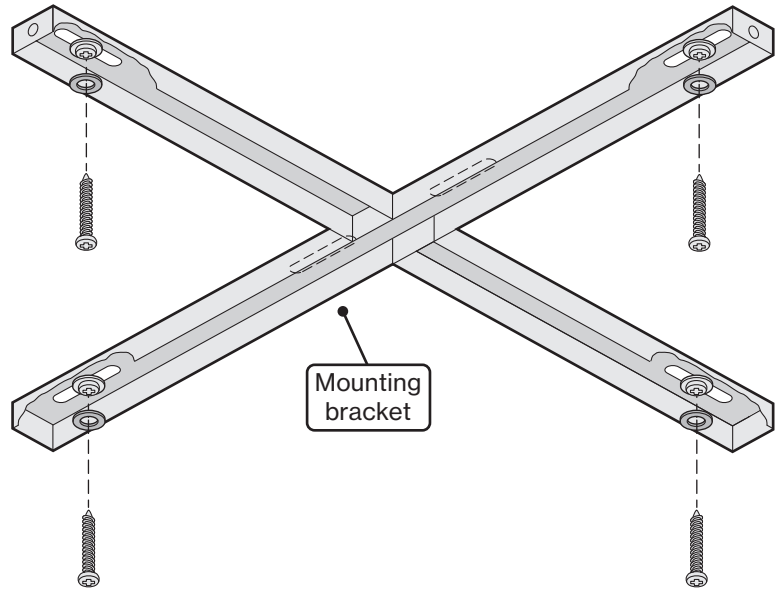
To recreate loop-in connections: Remove the supplied connector block. Using the labelled cables as discussed left, you now need to recreate the loop-in circuit links that existed in the original rose, using suitable connectors (that are rated and insulated for 240VAC use) - such as Wago® terminal blocks (part number 221-413)). You will need four of these connectors to form the live, neutral, switched live and earth connection groups.

Notes:

- A valid CPC (Circuit Protective Conductor) earth connection must be supplied by the existing feed in cable to the rose.
- Ensure that the bare copper earth connections have green/yellow sleeves to isolate them from other connections.

Fitting your new ceiling rose

- 1 Follow all of the instructions given overleaf.
- 2 Shut off power to the circuit and use a tester to ensure power has been completely isolated. Disconnect the wires from the original rose and remove the original rose from the ceiling.
- 3 Determine where the mounting bracket for the new rose can be screwed into the ceiling. It is important that the screws are driven into the wooden beam above the ceiling surface. It is also vitally important that they do not disrupt any cabling or pipe work in the ceiling space. Take time to properly survey the location. As the XL ceiling rose is wide it may be necessary to install further mounting points (known as *Noggins*) for the bracket by accessing the floor above. Up to six screws, washers and wall plugs are provided with your XL ceiling rose for fixing.
- 4 Use a Philips screwdriver to remove the four bolts that secure the cover plate to the mounting frame.
- 5 Check that the supplied screws are suitable for the mounting location and, if so, insert them through the mounting bracket slots and into the beam above the ceiling to secure. Ideally you should use four fixing points due to the size of the new ceiling rose.
- 6 Add your chosen cables, lamp holders and connection blocks to the cover plate. You will now need to hold the whole cover plate up near the frame while you make the connections - we suggest that you get help for this stage.
- 7 Connect the incoming switched live (brown), neutral (blue) and earth (green/yellow) wires. **IMPORTANT:** Ensure that the earth connection is made to the earthing terminal on the inside of the cover plate.
- 8 Once all connections have been made and double checked, align the four holes of the cover plate with the threaded holes in the four arms of the mounting bracket. Insert and tighten the four screws to secure it in place.
- 9 If not already done, connect lamp holders to the hanging cables, fit lamps and then restore power to the circuit.



The wheellie bin symbol is a reminder to dispose of electronic waste responsibly; please visit your local collection centre to recycle. Help protect the environment and reduce the impact of hazardous materials. Together, let's ensure a sustainable future.

© Dowsing & Reynolds 2024 - release 0.1a



Conforms to BS 67
WARNING: Not to be used in
circuits exceeding 10Amps.
50Hz 250VAC 6A